

Family datasheet

Diablo




Product description

Diablo is a compact 3-phase LED spotlight with integrated power supply and aluminum heatsink with 50,000 hours lifetime. Available in 3 power options, wide range of color temperatures (2700K-4000K) with CRI 80+/90+. Four light distribution types (15°, 24°, 36°, 60°) and DALI control option available. Ideal for commercial spaces, showrooms and households. 5-year warranty.

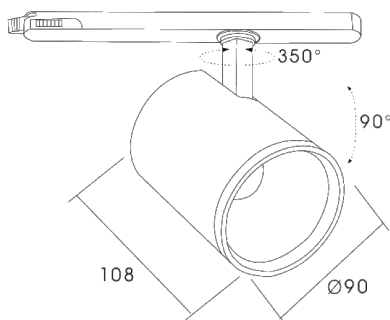
LED 220-240 V 50-60 Hz IP20   

Technical description

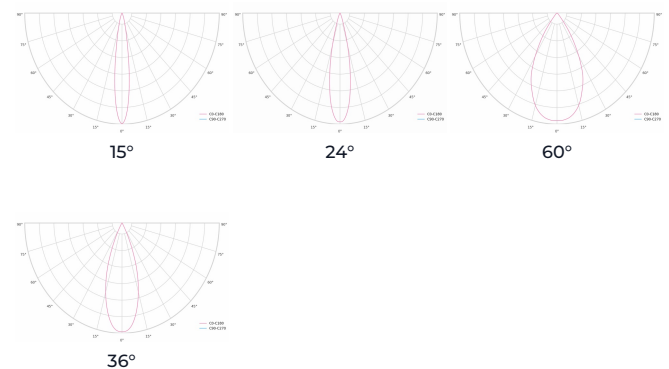
Mains voltage	220 - 240V AC, 50/60Hz
Connection method	3-phase track adapter
IP rating	20
Protection class	II
Light source	LED
Switching type	Non-dimmable , DALI
CRI	80, 90
CCT	2700K, 3000K, 3100K, 3500K, 4000K
Lumen output	1793-3879 lm
Efficiency	Up to 149 lm/W
Power consumption	13-27 W

Optical system	Lenses
Optical part material	PMMA
Housing material	Die-cast aluminium
Surface finish	Powder coated
Ambient temperature	0 to +25°C
Service lifetime (L80 B10)	50 000h
Warranty	5 years

Dimensions



Light distribution curves



Available housing colors



RAL 9005



RAL 9003

Product codes

The technical specifications of the luminaire are determined through the combination of these attributes, which result in a unique product code.

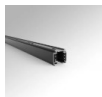
Order code example: DIABLO-L-827-1-15-BL

Attribute	Value	Code
Model	Diablo	DIABLO-
Version	S	S
	M	M
	L	L
CCT	2700k (CRI 80+)	827
	2700k (CRI 90+)	927
	3000k (CRI 80+)	830
	3000k (CRI 90+)	930
	3100k (CRI 80+)	831
	3100k (CRI 90+)	931
	3500k (CRI 80+)	835
	3500k (CRI 90+)	935
	4000k (CRI 80+)	840
	4000k (CRI 90+)	940
Dimming	Non-dimmable	1
	DALI	2
Light distribution	15°	15
	24°	24
	36°	36
	60°	60
Housing Color	Black	BL
	White	WH

Optional products



PRO-0410



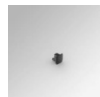
PRO-0420



PRO-0431L



PRO-0431R



PRO-0432



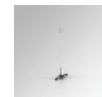
PRO-0433



PRO-0434



PRO-0437



PRO-EZ0449



PRO-M435



PRO-M436



PRO-M438