

Technical datasheet

DIABLO-L-830-2-60-BL




Product description

Diablo is a compact 3-phase LED spotlight with integrated power supply and aluminum heatsink with 50,000 hours lifetime. Available in 3 power options, wide range of color temperatures (2700K-4000K) with CRI 80+/90+. Four light distribution types (15°, 24°, 36°, 60°) and DALI control option available. Ideal for commercial spaces, showrooms and households. 5-year warranty.

LED 220-240V IP20    CCT CRI 

220-240V
50-60Hz

IP20



CCT
3000 k

CRI
80+



Product technical data

Mains voltage 220 - 240V AC, 50/60Hz

Connection method 3-phase track adapter

Dimming type DALI

IP rating 20

Protection class II

Ambient temperature 0 to +25 °C

Light source LED

Colour temperature 3000k

Color rendering index 80

Rated luminous flux 3,768 lm

Connected load 27.58 W

Luminous efficacy 136.6 lm/W

Ripple 3 %

DALI address 1

Standby power 0.50 W

Inrush current 5 A

Inrush time 50 µs

Optical system Lenses

Optical part material PMMA

Housing material Die-cast aluminium

Surface finish Powder coated

Height 132.00 cm

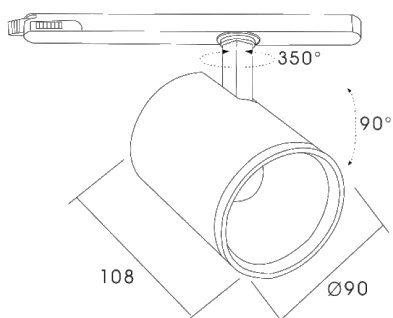
Diameter 90.00 cm

Weight 0.80 kg

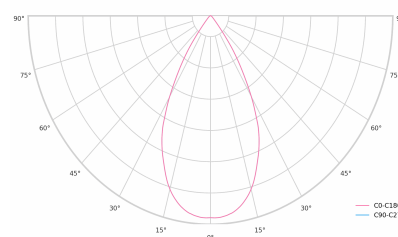
Service lifetime (L80 B10) 50 000 h

Warranty 5 years

Dimensions



Light distribution



Optional products



PRO-0410



PRO-0420



PRO-0431L



PRO-0431R



PRO-0432



PRO-0433



PRO-0434



PRO-0437



PRO-EZ0449



PRO-M435



PRO-M436



PRO-M438

DALI 2

DALI (Digital Addressable Lighting Interface) is an international standard for digital lighting control systems. It enables individual control of each luminaire in the network using digital signals - unlike traditional analog solutions.

Key DALI2 innovations:

- Advanced diagnostic capabilities
- Better fault reporting and device status
- Enhanced scene programming options
- Support for RGB/RGBW and tunable white