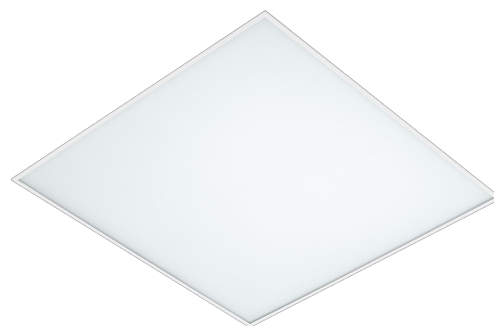


# Technical datasheet

## SQECO-59-840-2

### Product description

Square ECO is a 595x595 mm LED panel with state-of-the-art LED technology and LED source with 50,000 hours lifetime. Color temperature 4000K with CRI 80+ and luminous flux 4080 lm. Steel body with PMMA diffuser for optimal light distribution and DALI control option available. Fully compatible with existing lighting infrastructure. Ideal for offices, halls and commercial spaces. 5-year warranty.

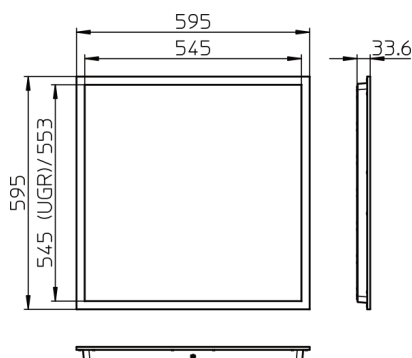
**LED**    220-240 V    IP20            UGR < 19    CCT 4000 k    CRI 80+

### Product technical data

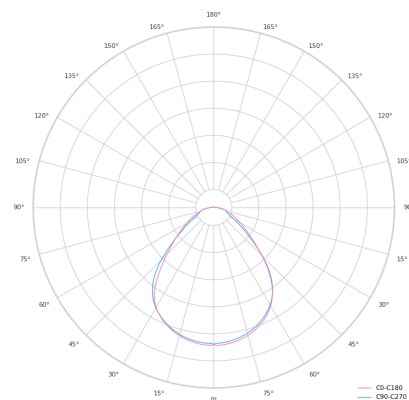
Mains voltage	220 - 240V AC, 50/60Hz
Connection method	Plug-in terminal
Dimming type	DALI
IP rating	20
Protection class	II
Ambient temperature	0 to +30 °C
Light source	LED
Colour temperature	4000k
Color rendering index	80
Rated luminous flux	4,080 lm
Connected load	34.00 W
Luminous efficacy	120.0 lm/W

Optical system	Diffuser
Optical part material	PMMA
Housing material	Steel
Surface finish	Powder coated
Width	595.00 cm
Height	26.00 cm
Length	595.00 cm
Weight	1.60 kg
Service lifetime (L80 B10)	50 000 h
Warranty	5 years

### Dimensions



### Light distribution



## Optional products



Square Easy  
frame

Square  
suspension kit

---