

# Technical datasheet

## DIABLO-M-830-2-36-BL




### Product description

Diablo is a compact 3-phase LED spotlight with integrated power supply and aluminum heatsink with 50,000 hours lifetime. Available in 3 power options, wide range of color temperatures (2700K-4000K) with CRI 80+/90+. Four light distribution types (15°, 24°, 36°, 60°) and DALI control option available. Ideal for commercial spaces, showrooms and households. 5-year warranty.

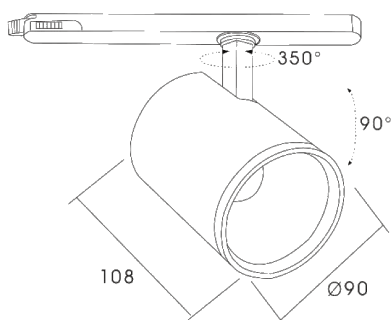
**LED**    220-240V  
50-60Hz    **IP20**                **CCT**  
3000 k    **CRI**  
80+    

### Product technical data

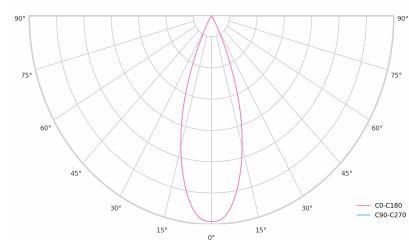
|                       |                        |
|-----------------------|------------------------|
| Mains voltage         | 220 - 240V AC, 50/60Hz |
| Connection method     | 3-phase track adapter  |
| Dimming type          | DALI                   |
| IP rating             | 20                     |
| Protection class      | II                     |
| Ambient temperature   | 0 to +25 °C            |
| Light source          | LED                    |
| Colour temperature    | 3000k                  |
| Color rendering index | 80                     |
| Rated luminous flux   | 2,760 lm               |
| Connected load        | 19.33 W                |
| Luminous efficacy     | 142.8 lm/W             |

|                            |                    |
|----------------------------|--------------------|
| Ripple                     | 3 %                |
| DALI address               | 1                  |
| Standby power              | 0.50 W             |
| Inrush current             | 5 A                |
| Inrush time                | 50 µs              |
| Optical system             | Lenses             |
| Optical part material      | PMMA               |
| Housing material           | Die-cast aluminium |
| Surface finish             | Powder coated      |
| Height                     | 132.00 cm          |
| Diameter                   | 90.00 cm           |
| Weight                     | 0.80 kg            |
| Service lifetime (L80 B10) | 50 000 h           |
| Warranty                   | 5 years            |

### Dimensions



### Light distribution



## Optional products



PRO-0410



PRO-0420



PRO-0431L



PRO-0431R



PRO-0432



PRO-0433



PRO-0434



PRO-0437



PRO-04SK



PRO-D680-B

PRO-D680-W



PRO-EZ0449



PRO-EZ0450



PRO-M435



PRO-M436



PRO-M438



PRO-MD636L



PRO-MD638

## DALI 2

DALI (Digital Addressable Lighting Interface) is an international standard for digital lighting control systems. It enables individual control of each luminaire in the network using digital signals - unlike traditional analog solutions.

### Key DALI2 innovations:

- Advanced diagnostic capabilities
- Better fault reporting and device status
- Enhanced scene programming options
- Support for RGB/RGBW and tunable white