

Technical datasheet

DIABLO-L-935-1-15-BL




Product description

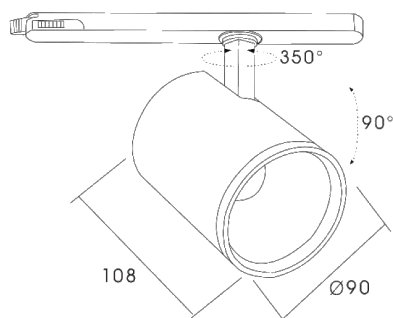
Diablo is a compact 3-phase LED spotlight with integrated power supply and aluminum heatsink with 50,000 hours lifetime. Available in 3 power options, wide range of color temperatures (2700K-4000K) with CRI 80+/90+. Four light distribution types (15°, 24°, 36°, 60°) and DALI control option available. Ideal for commercial spaces, showrooms and households. 5-year warranty.

LED 220-240 V IP20    CCT CRI
 50-60Hz 3500 k 90+

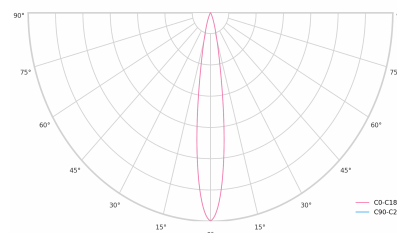
Product technical data

Mains voltage	220 - 240V AC, 50/60Hz	Ripple	5 %
Connection method	3-phase track adapter	Inrush current	7 A
Dimming type	Non-dimmable	Inrush time	28 μs
IP rating	20	Optical system	Lenses
Protection class	II	Optical part material	PMMA
Ambient temperature	0 to +25 °C	Housing material	Die-cast aluminium
Light source	LED	Surface finish	Powder coated
Colour temperature	3500k	Height	132.00 cm
Color rendering index	90	Diameter	90.00 cm
Rated luminous flux	3,457 lm	Weight	0.80 kg
Connected load	27.50 W	Service lifetime (L80 B10)	50 000 h
Luminous efficacy	125.7 lm/W	Warranty	5 years

Dimensions



Light distribution



Optional products



PRO-0410



PRO-0420



PRO-0431L



PRO-0431R



PRO-0432



PRO-0433



PRO-0434



PRO-0437



PRO-EZ0449



PRO-M435



PRO-M436



PRO-M438