

Technical datasheet

DIABLO-M-827-1-60-WH




Product description

Diablo is a compact 3-phase LED spotlight with integrated power supply and aluminum heatsink with 50,000 hours lifetime. Available in 3 power options, wide range of color temperatures (2700K-4000K) with CRI 80+/90+. Four light distribution types (15°, 24°, 36°, 60°) and DALI control option available. Ideal for commercial spaces, showrooms and households. 5-year warranty.

LED 220-240 V IP20    CCT CRI

220-240 V

IP20



CCT

CRI

Product technical data

Mains voltage 220 - 240V AC, 50/60Hz

Connection method 3-phase track adapter

Dimming type Non-dimmable

IP rating 20

Protection class II

Ambient temperature 0 to +25 °C

Light source LED

Colour temperature 2700k

Color rendering index 80

Rated luminous flux 2,622 lm

Connected load 19.11 W

Luminous efficacy 137.2 lm/W

Ripple 5 %

Inrush current 7 A

Inrush time 28 μs

Optical system Lenses

Optical part material PMMA

Housing material Die-cast aluminium

Surface finish Powder coated

Height 132.00 cm

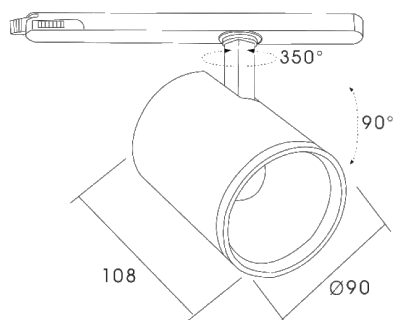
Diameter 90.00 cm

Weight 0.80 kg

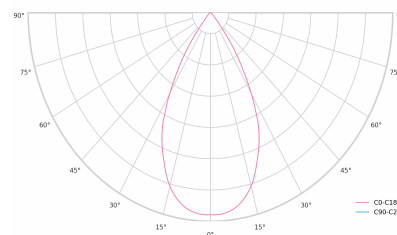
Service lifetime (L80 B10) 50 000 h

Warranty 5 years

Dimensions



Light distribution



Optional products



PRO-0410



PRO-0420



PRO-0431L



PRO-0431R



PRO-0432



PRO-0433



PRO-0434



PRO-0437



PRO-04SK



PRO-D680-B

PRO-D680-W

PRO-EZ0449



PRO-EZ0450



PRO-M435



PRO-M436

PRO-M438

PRO-MD636L

PRO-MD638