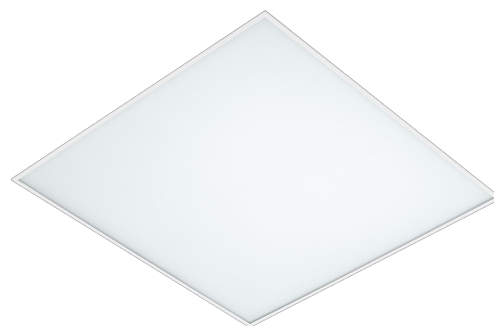


Technical datasheet

SQECO-59-840-2

Product description

Square ECO is a 595x595 mm LED panel with state-of-the-art LED technology and LED source with 50,000 hours lifetime. Color temperature 4000K with CRI 80+ and luminous flux 4080 lm. Steel body with PMMA diffuser for optimal light distribution and DALI control option available. Fully compatible with existing lighting infrastructure. Ideal for offices, halls and commercial spaces. 5-year warranty.

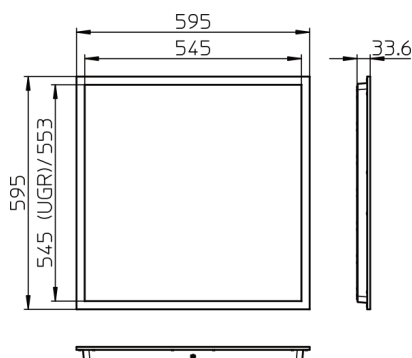
LED 220-240 V IP20   UGR < 19 CCT 4000 k CRI 80+

Product technical data

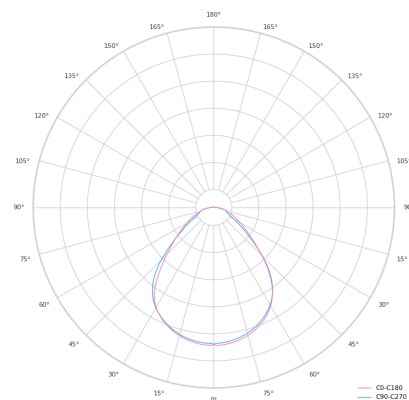
| | |
|-----------------------|------------------------|
| Mains voltage | 220 - 240V AC, 50/60Hz |
| Connection method | Plug-in terminal |
| Dimming type | DALI |
| IP rating | 20 |
| Protection class | II |
| Ambient temperature | 0 to +30 °C |
| Light source | LED |
| Colour temperature | 4000k |
| Color rendering index | 80 |
| Rated luminous flux | 4,080 lm |
| Connected load | 34.00 W |
| Luminous efficacy | 120.0 lm/W |

| | |
|----------------------------|---------------|
| Optical system | Diffuser |
| Optical part material | PMMA |
| Housing material | Steel |
| Surface finish | Powder coated |
| Width | 595.00 cm |
| Height | 26.00 cm |
| Length | 595.00 cm |
| Weight | 1.60 kg |
| Service lifetime (L80 B10) | 50 000 h |
| Warranty | 5 years |

Dimensions



Light distribution



Optional products



Square Easy
frame

Square
suspension kit